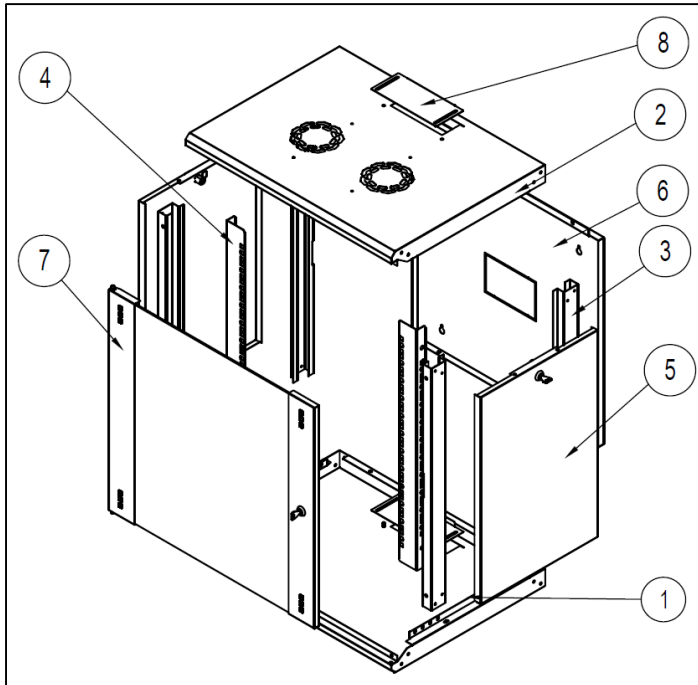


## ELEGANT WALL ASSEMBLY INSTRUCTION



Nr	Material Description	qty
1	Bottom case	1
2	Top case	1
3	Corner Profile	4
4	19" Mounting rail	2*
5	Side panel	2
6	Rear panel	1
7	Front door	1
8	Sliding cable entry panel	2

\* 19" Mounting rails are 4pcs with D:600mm Rack cabinets

Follow assembly instruction by starting from figure (1)

FASTENING SCREWS			
A		M5x8 CROSS RECESSED PAN HEAD (SELF TAPPING SCREW)	16 pcs
B		M5x12 CROSS RECESSED COUNTERSUNK HEAD SCREW	8 pcs
C		M5x12 CROSS RECESSED PAN HEAD SCREW	4 pcs
D		M6x15 CROSS RECESSED PAN HEAD SCREW	4 pcs

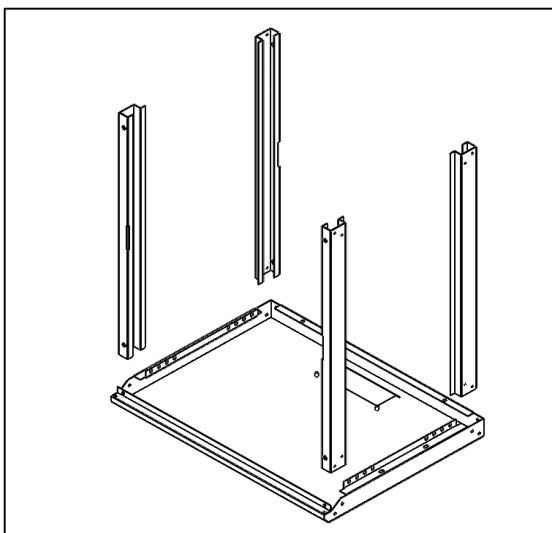


Figure 1

Place the bottom case on a flat-surface as shown on the **figure 1**.

Place the Corner profiles 4 pcs and Tighten M5X8 screws ( 16 pcs total ) as shown on the **figure 2**.

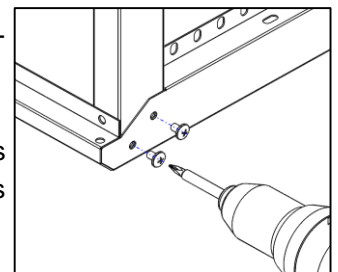


Figure 2

Tighten M5x12 screws (4 pcs total) as shown on the **figure 3 & 4**

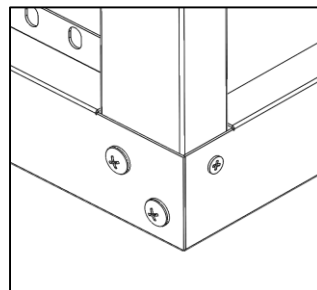


Figure 4

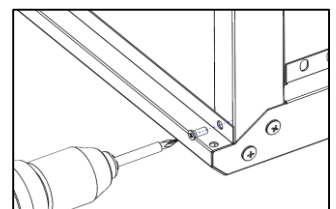


Figure 3

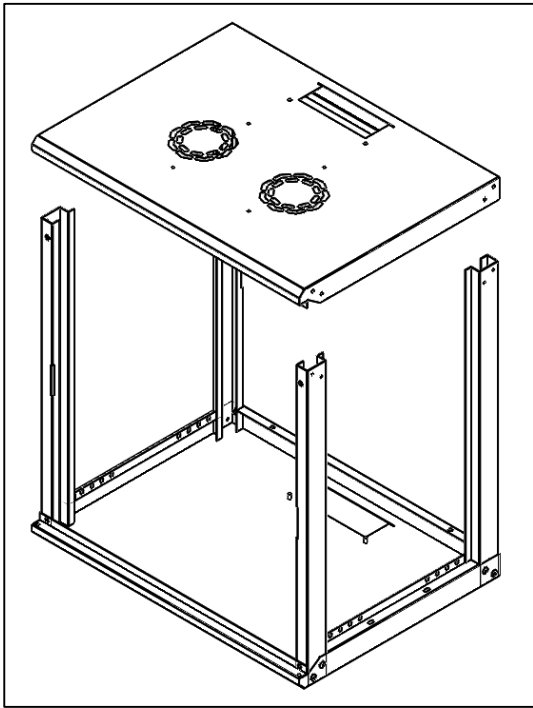


Figure 5

Place the top case on the corner profiles as shown on the **figure 5** and tighten screws.

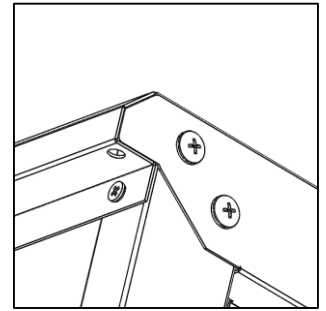


Figure 6

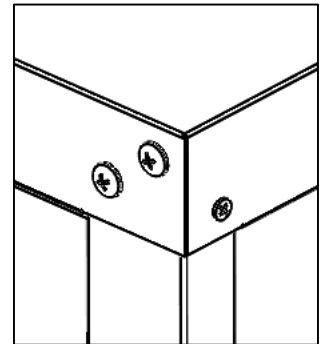


Figure 7

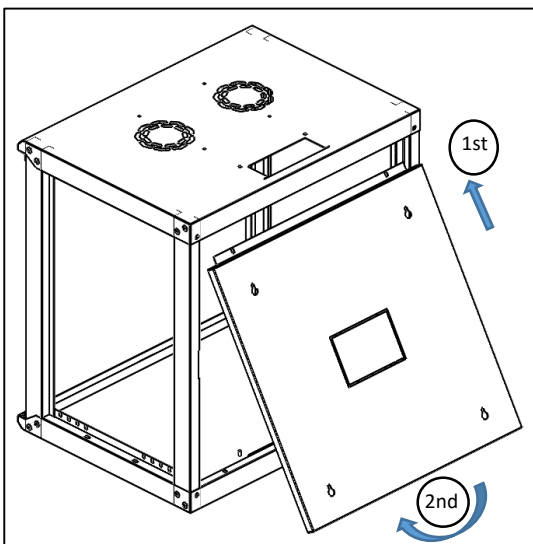


Figure 8

Place the rear solid panel as shown on the **figure 8** ( Pay attention on 1st and 2nd movement )

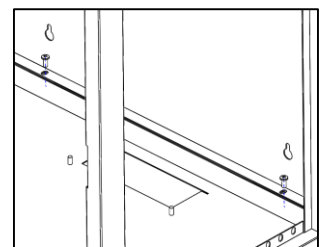


Figure 9

Tighten M5x12 screws from inside the rack as shown on the **figure 9 & 10** .

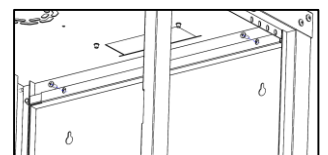


Figure 10

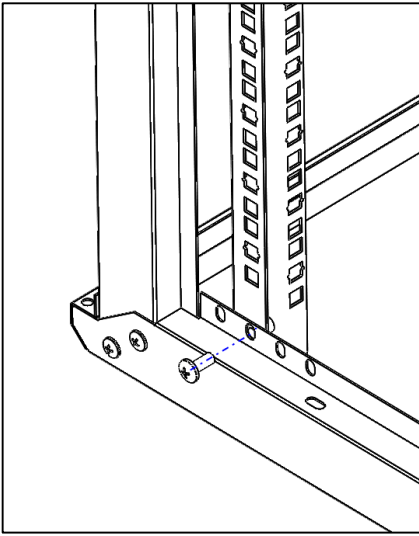


Figure 11

Place the 19" Mounting rails as shown on the **figure 11** and tighten M6X15 screws.

Note: 19" Mounting rails are 2 pcs for D:450mm & 4 pcs for D:600mm Rack cabinets .

Fasten barrel lock on the side panel as shown on the **figure 12 & 13**.

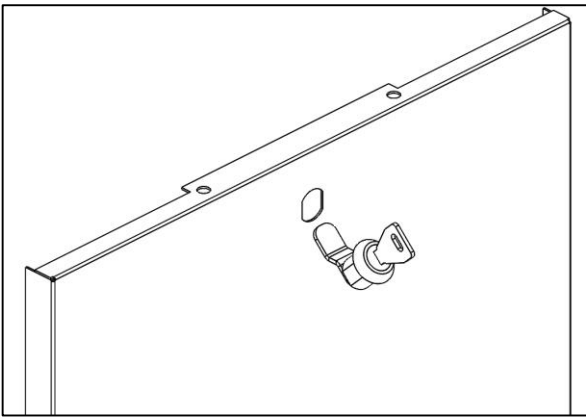


Figure 12

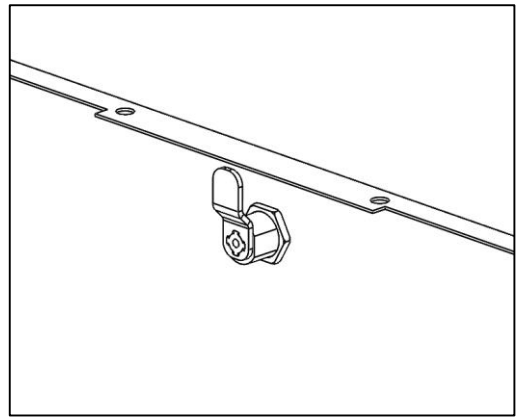


Figure 13

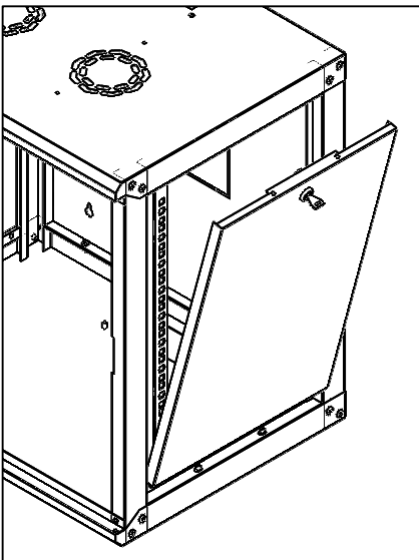


Figure 14

Place side panel as shown on the **figure 14 & 15**

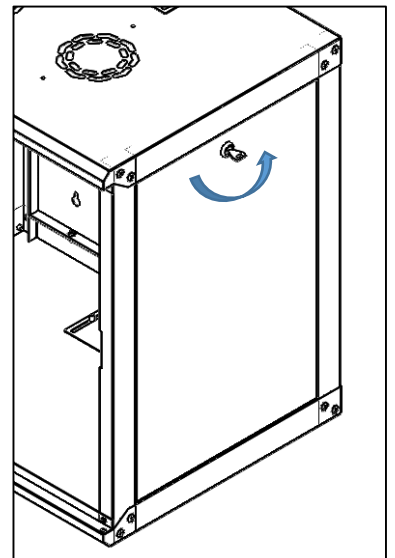


Figure 15

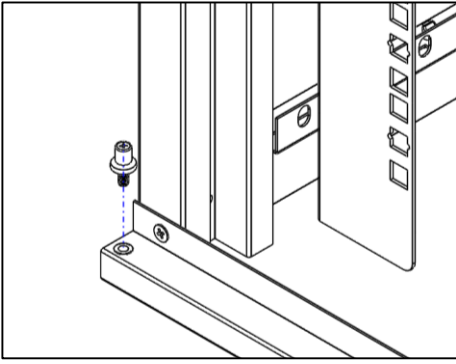


Figure 16

Fasten the screw type Pin on the bottom case for front door installation as shown on the **figure 16**.

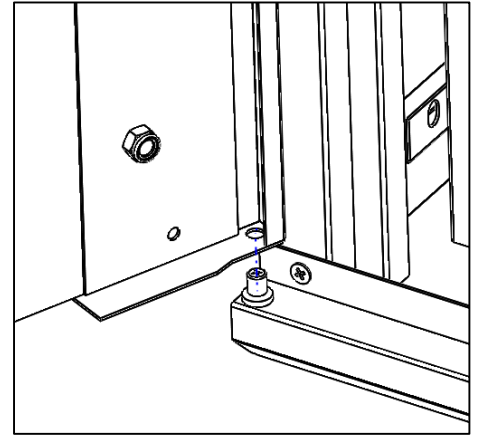


Figure 17

Place the front door frame on the screw type Pin as shown on the **figure 17**

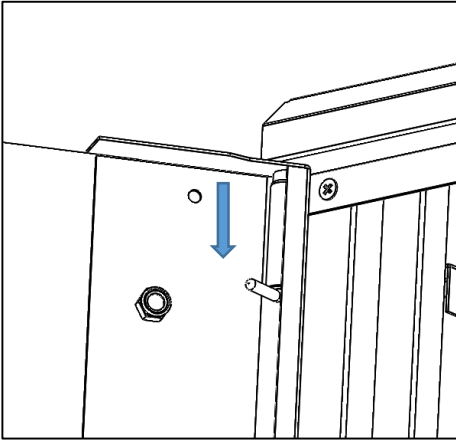


Figure 18

1st .Pull down the spring hinge  
2nd place the door frame between bottom and top case, as shown on the **Figure 18**

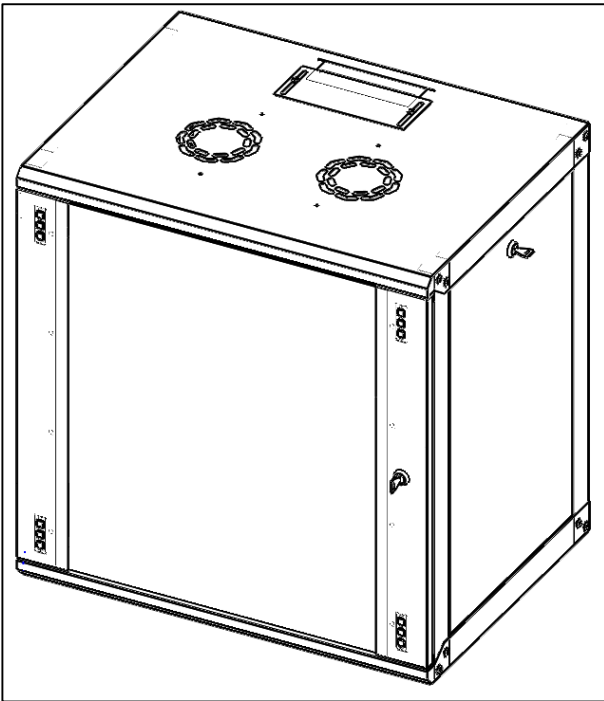


Figure 19

The door is ready to close and lock it as shown on the **Figure 19 & 20**.

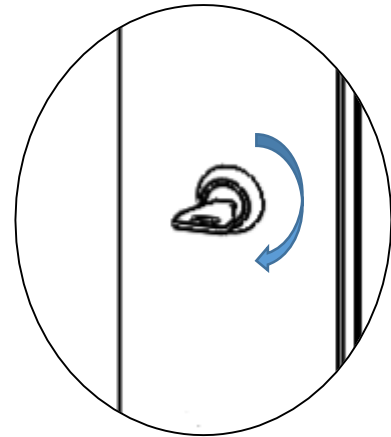


Figure 20