

FireClass Addressable Fire Alarm Device Series



Built on 100 years of product innovation

The FireClass range has been built around MZX Technology, which provides some of the most advanced fire detection capabilities that are currently available.

Developed from integrating many years of product innovation through research and development across Europe, the MZX Technology platform has provided some of the best sensing technologies or more than 100 years and has been a great contributor to early detection and minimizing false alarms. Our products have been designed to utilize tools and techniques that allow for easy and flexible engineering, configuration, and installation. It has also been responsible for some of the best installation techniques allowing easy and flexible engineering and installation.

This has resulted in the FireClass range being one of the most resilient, reliable,

and serviceable systems available with the broadest level of global standards compliance and certifications. With such heritage, FireClass experts have developed a new series of Sounders, Visual Alarm Devices (VADs) and Visual Indication Devices (VIDs). Using our cutting-edge, in-house testing centers, our engineers have performed rigorous, accurate situational testing programs with a special focus on EN54 part 23 requirements to enable them to enhance the performance of our new product range.

This combined with our expert knowledge in fire detection technology and systems, has meant that we now offer a range of superior devices. These are amongst the most advanced available and meet all the current standards and requirements makes the system suitable for the most critical and sensitive Environments.





What to use where?

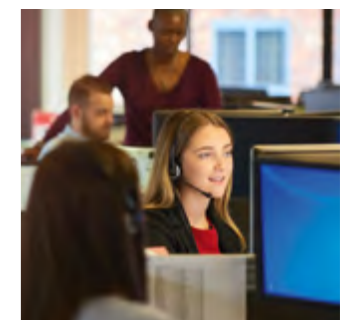
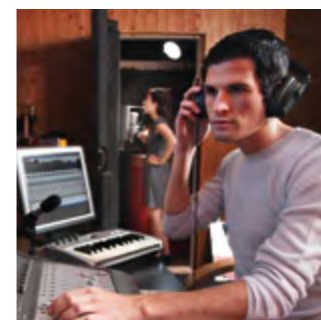
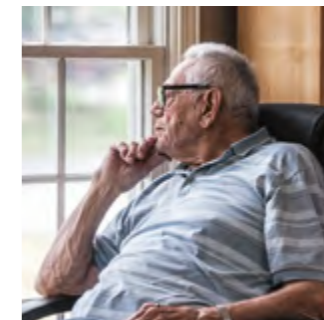
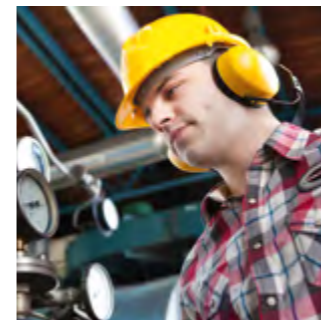
It is advisable to carry out a Fire Risk Assessment of the area to be covered before applying any system design. This will determine the type and specification of the devices required.

Sounders are considered as the most important of all the alarm devices. It is a mandatory requirement that sounders are used as an integral part of the fire detection and alarm system as sounders are considered the most important of all the alarm devices.

VADs are used to supplement sounders, providing an effective means of alerting and evacuating occupants of the building, as part of its fire safety strategy. Regulations and codes of practices recommend that they should be installed in places where audible devices alone would be ineffective, or, where they are simply undesirable. Installation of VADs has been mandatory since January 2014 and, with the introduction of the EN54-23 the use of VADs has grown considerably.

VIDs are generally used as a supplementary indication to raise situational awareness. But, when an event occurs, they cannot be used as the only means to alert people to a potential hazard.

Typical examples of sites where VADs are needed:



What is EN54-23?

The recent release by the European Committee for Standardization (CEN) of EN54-23 now clarifies the use of Visual Alarm Devices in fire detection and alarm systems in non-domestic premises. These requirements became mandatory in January 2014.

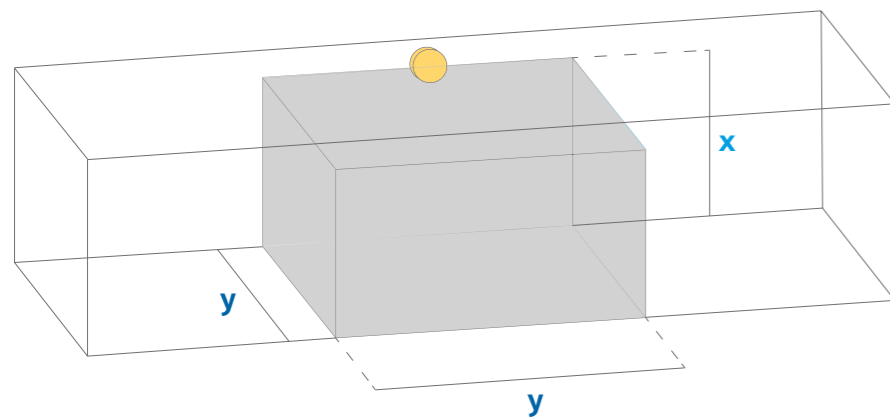
The EN54-23 now provides clarity by standardizing requirements, test methods and performance criteria of Visual Alarm Devices (VADs) and ensures all device parameters are measured in a uniform manner throughout Europe. Prior to this release, misinterpretation and confusion over a particular product's performance was a common concern in the industry as there was no EN standard in existence for VADs.

Main requirements for EN54-23 are:

- The coverage volume (i.e., the volume within which required illumination is achieved) must be stated on the product or supporting documentation.
- The VAD should meet the requirement for coverage volume of at least one of the following categories: W (Wall), C (Ceiling), O (Open Class).
- Required illumination of 0.4 lux on a surface perpendicular to the direction of the light emitted from the VAD.
- It should state the rate of flash between 0.5Hz and 2Hz.
- The devices must be classified as Type A, indoor and Type B, outdoor.



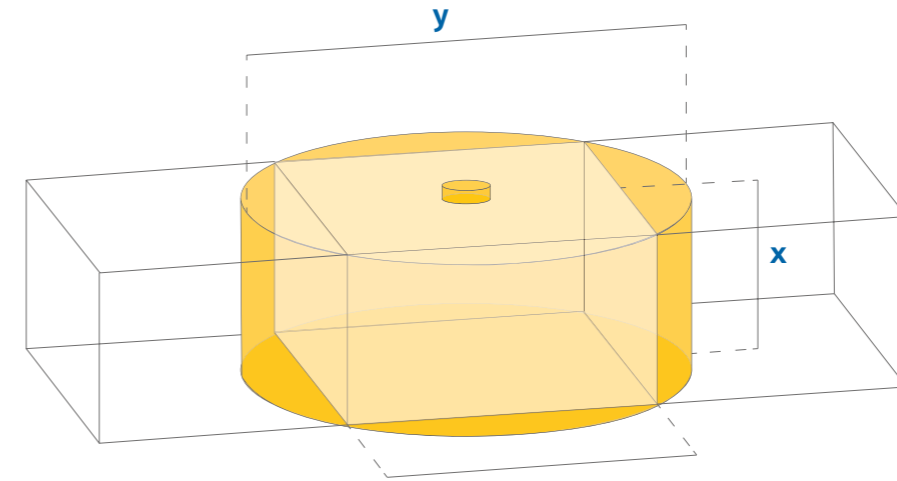
Wall category



Coverage volume code: W - (x) - (y)

W = wall mounted; x = maximum mounting height; y = length and width in metres of the cubic volume covered (to a minimum level of 0.4 lux) when the device is mounted to the wall at the height of x

Ceiling category



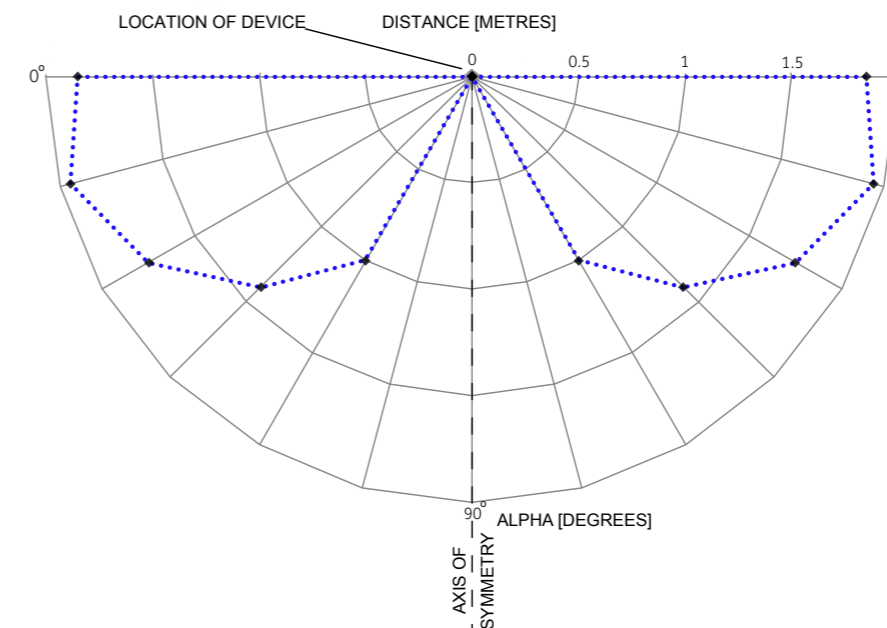
Coverage volume code: C - (x) - (y)

C = ceiling mounted; x = maximum mounting height; y = diameter in metres of the cylindrical volume covered (to a minimum level of 0.4 lux) when the device is mounted to the ceiling at a height of x

Open class category

The manufacturer's coverage volume and shape are specified and include mounting position and orientation alongside any restriction on the mounting height.

Sounder beacon



Sounder beacon - ceiling mount light distribution for P82AVB Addressable OC Base Sounder Beacon



Faster Reaction to Alarm Activation 20ms Pulse Length

In the last decade, power efficient LED technology become more prevalent and replaced xenon as light source in most of the visual indicating and alarm devices in the market. Recent research has shown that the effect of the LED light on the human eye is influenced by the light pulse length and this may not be the same as that emitted by a Xenon light. Independent laboratory tests show that duration of the pulse within visual

alarm devices influences the way people react to it. Interestingly, the shorter the pulse duration, the faster the reaction. Consequently shorter pulse durations of LED devices will result in improved reactions as attention to the light is drawn sooner.

At FireClass we understand how the shorter pulse length is a crucial element in improving reaction times.

The new range of devices from FireClass capture these latest innovations and breakthroughs in light technology to operate LED devices with a pulse duration that does not exceed 20ms. This can have an effect on the human eye that is comparable to Xenon light.

Optimized costs with more devices on a loop

Power consumption is the biggest consideration when complying with EN54-23.

The new visual alarm and indication devices from FireClass have been specifically designed to operate with low levels of current consumption, meaning more devices can be used on a loop. This makes system design and installation easier and far more cost effective.





Reflective monitoring and self test

Regular testing of fire detection systems is necessary but is often disruptive especially in buildings such as hospitals or hotels. The new range of fire alarm devices from FireClass are, smart enough to test themselves without disruption when required.

Reflective Light Monitoring (RLM) is used to perform a full self-test of all VADs. Reflective Sound Monitoring (RSM) enables a full-self test of sounding devices.

RSM and RLM measure and test sound and light output. These are not based on electronic measurements or simulations, but on real output. This method of testing is highly accurate and reassures the end user by providing a high level of confidence in the performance of the system.

These self-tests can be triggered from the panel user interface at any time.

Self-test is available on the FC32/64/240 panels, and the 600 and 700 series of fire alarm panels.

High quality and expertise

Our group has extensive expertise for notification devices within the USA. We have sold millions of devices improving our product and sales knowledge. Now, FireClass can benefit from this impressive knowledge.

Our new alarm devices are made in worldclass globally certified European factories, which ensure the highest levels of quality and environmental health and safety.



FC440AVW, FC440AVR, FC445AVR Addressable Wall Sounder VADs



The FC440AV range of compact addressable wall sounders with a Visual Alarm Device (VAD) includes three models with the same low current and high-output specification. There are red and white body indoor models plus an IP-rated version for either outdoor or harsh environment applications.

Note: The wall device is shown fitted to the shallow back box

Features

- A compact and unobtrusive sounder solution
- Reflective Sound Monitoring (RSM)
- Reflective Light Monitoring (RLM)
- Self-test (**)
- Shorter light pulse for faster response
- Indoor and outdoor versions
- Indoor models can be semi-flush or surface mounted including a choice of shallow or deep back box
- IP rated option has a deep surface back box for use with suitable IP-rated glands and cabling
- Power and data from the loop - no additional wiring or power supplies required
- Built-in line isolator
- Sixteen selectable tones
- Realistic conventional bell tone
- Two selectable volumes
- Two selectable flash rates
- Select the tone volume and flash rate using panel configuration software
- Independent addressable control of the sounder and beacon
- Different tones can be used for fire alarm and class change
- Rectangle wall mount for an aesthetically pleasing option
- A locking pin/screw supplied which prevents unauthorized removal

Coverage volume code	
FC440AVW	W-2.4-7.5
FC440AVR	W-2.4-7.5
FC445AVR	W-2.4-7.5
Devices per loop	
FC440AVW	Up to 73(*)
FC440AVR	Up to 73(*)
FC445AVR	Up to 73(*)
Flash rate	
FC440AVW	0.5 / 1Hz
FC440AVR	0.5 / 1Hz
FC445AVR	0.5 / 1Hz
Dimensions (WxHxD) mm	
FC440AVW	89x135x40 (Without backBox)
FC440AVR	89x135x40 (Without backBox)
FC445AVR	105x153x97 (With IP backBox)
Sound output @ 1m	
FC440AVW	Up to 100dBA
FC440AVR	Up to 100dBA
FC445AVR	Up to 100dBA

Body colour	
FC440AVW	White
FC440AVR	Red
FC445AVR	Red
Flash colour	
FC440AVW	White
FC440AVR	White
FC445AVR	White
IP code	
FC440AVW	IP21C
FC440AVR	IP21C
FC445AVR	IP55
Approvals	
FC440AVW	EN54-3, 23, 17
FC440AVR	EN54-3, 23, 17
FC445AVR	EN54-3, 23, 17

(*) Full intensity VAD with sounder at high volume, 0.5 A loop. Loop quantities are for guidance only and should be verified with the loop calculator.

Ordering information

Product Code	Description
576.440.007(*)	FC440AVW Addressable Wall Sounder VAD White
576.440.008(*)	FC440AVR Addressable Wall Sounder VAD Red
576.440.009(*)	FC445AVR Addressable Wall Sounder VAD IP Red
557.080.007	S-BOXR Shallow Surface Back Box For Indoor Wall Sounder / VAD / VID Red
557.080.008	S-BOXW Shallow Surface Back Box For Indoor Wall Sounder / VAD / VID White
557.080.010	A-BOX Flush Back Box Adaptor For Indoor Wall Sounder / VAD / VID
557.080.011	D-BOXR Deep Surface Back Box For Indoor Wall Sounder / VAD / VID Red
557.080.012	D-BOXW Deep Surface Back Box For Indoor Wall Sounder / VAD / VID White

(*) Products not compatible with FC510/FC520 panels

(**) Self-test is available on the FC32/64/240 panels, and the 600 and 700 series of fire alarm panels.

FC440AIW, FC440AIR and FC445AIR Addressable Wall Sounder VIDs



The FC440AI range of compact addressable wall sounders with the Visual Indicating Device (VID) includes three models with the same low current and high-output specification. There are red and white body indoor models plus an IP-rated version for either outdoor use or for harsh environment applications.

Features

- A compact and unobtrusive sounder solution
- Reflective Sound Monitoring (RSM)
- The control panel electronically monitors the light
- Self-test (**)
- Indoor and outdoor versions
- Indoor models can be semi-flush or surface-mounted including a choice of shallow or deep back box
- IP rated option has a deep surface back box
- Power and data from the loop - no additional wiring or power supplies required
- Built-in line isolator
- Sixteen selectable tones
- Realistic conventional bell tone
- Two selectable volumes
- Two selectable flash rates
- Select the tone volume and flash rate using panel configuration software
- Independent addressable control of the sounder and beacon
- Different tones can be used for fire alarm and class change
- Rectangle wall mount for an aesthetically pleasing option
- A locking pin/screw supplied which prevents unauthorized removal

Devices per loop	
FC440AIW	Up to 92(*)
FC440AIR	Up to 92(*)
FC445AIR	Up to 92(*)
Flash rate	
FC440AIW	0.5 / 1Hz
FC440AIR	0.5 / 1Hz
FC445AIR	0.5 / 1Hz
Dimensions (WxHxD) mm	
FC440AIW	89x135x40 (Without backBox)
FC440AIR	89x135x40 (Without backBox)
FC445AIR	105x153x97 (With IP backBox)
Sound output @ 1m	
FC440AIW	Up to 100dBA
FC440AIR	Up to 100dBA
FC445AIR	Up to 100dBA

Body colour	
FC440AIW	White
FC440AIR	Red
FC445AIR	Red
Flash colour	
FC440AIW	Red
FC440AIR	Red
FC445AIR	Red
IP code	
FC440AIW	IP21C
FC440AIR	IP21C
FC445AIR	IP55
Approvals	
FC440AIW	EN54-3, 17
FC440AIR	EN54-3, 17
FC445AIR	EN54-3, 17

Ordering information

Product Code	Description
576.440.011	FC440AIW Addressable Wall Sounder Beacon VID White
576.440.012	FC440AIR Addressable Wall Sounder Beacon VID Red
576.440.013	FC445AIR Addressable Wall Sounder Beacon VID Weatherproof
557.080.007	S-BOXR Shallow Surface Back Box For Indoor Wall Sounder / VAD / VID Red
557.080.008	S-BOXW Shallow Surface Back Box For Indoor Wall Sounder / VAD / VID White
557.080.010	A-BOX Flush Back Box Adaptor For Indoor Wall Sounder / VAD / VID
557.080.011	D-BOXR Deep Surface Back Box For Indoor Wall Sounder / VAD / VID Red
557.080.012	D-BOXW Deep Surface Back Box for Indoor Wall Sounder/VAD/ VID White

(*) Beacon at 0.5Hz with sounder at high volume, 0.5 A loop.
Loop quantities are for guidance only and should be verified with the loop calculator.

FC440SW, FC440SR and FC445SR Addressable Wall Sounder



The FC440S range of compact addressable wall sounders includes three models with the same low current and high-output specification. There are red and white body indoor models plus an IP-rated version for either outdoor use or for harsh environment applications.

Features

- A compact and unobtrusive sounder solution
- Reflective Sound Monitoring (RSM)
- Self-test (**)
- Indoor and outdoor versions
- Indoor models can be semi-flush or surface mounted including a choice of shallow or deep back box
- IP rated option has a deep surface back box
- Power and data from the loop - no additional wiring or power supplies required
- Built-in line isolator
- Sixteen selectable tones
- Realistic conventional bell tone
- Two selectable volumes
- Select the tone volume using panel configuration software
- Different tones can be used for fire alarm and class change
- Rectangle wall mount for an aesthetically pleasing option
- A locking pin/screw supplied which prevents unauthorized removal

Devices per loop	
FC440SW	Up to 119(*)
FC440SR	Up to 119(*)
FC445SR	Up to 119(*)
Dimensions (WxHxD) mm	
FC440SW	89x135x40 (Without backBox)
FC440SR	89x135x40 (Without backBox)
FC445SR	105x153x97 (With IP backBox)
Sound output @ 1m	
FC440SW	Up to 100dBA
FC440SR	Up to 100dBA
FC445SR	Up to 100dBA

Body colour	
FC440SW	White
FC440SR	Red
FC445SR	Red
IP code	
FC440SW	IP21C
FC440SR	IP21C
FC445SR	IP55
Approvals	
FC440SW	EN54-3, 17
FC440SR	EN54-3, 17
FC445SR	EN54-3, 17

Ordering information

Product Code	Description
576.440.003	FC440SW Addressable Wall Sounder White
576.440.004	FC440SR Addressable Wall Sounder Red
576.440.005	FC445SR Addressable Wall Sounder IP
557.080.007	S-BOXR Shallow Surface Back Box For Indoor Wall Sounder / VAD / VID Red
557.080.008	S-BOXW Shallow Surface Back Box For Indoor Wall Sounder / VAD / VID White
557.080.010	A-BOX Flush Back Box Adaptor For Indoor Wall Sounder / VAD / VID
557.080.011	D-BOXR Deep Surface Back Box For Indoor Wall Sounder / VAD / VID Red
557.080.012	D-BOXW Deep Surface Back Box For Indoor Wall Sounder / VAD / VID White

(*) Beacon at 0.5Hz with sounder at high volume, 0.5 A loop.
Loop quantities are for guidance only and should be verified with the loop calculator.

(**) Self-test is available on the FC32/64/240 panels, and the 600 and 700 series of fire alarm panels.

FC440AVB and FC441AVB Addressable Sounder VAD Bases



The FC440AVB and FC441AVB are addressable sounder bases with a Visual Alarm Device (VAD) specifically for use with the FireClass addressable detectors. The bases are available as fire alarm sounders with Visual Alarm Device in two power outputs, standard and high. The high-power option provides more coverage for the VAD compared to the standard. Each has an address so they can be monitored and controlled from the fire alarm control panel, which is independent of the detector fitted to the base. The two-wire digital loop provides the power and communications for the sounder, VAD, and detector. This helps to reduce installation costs as no additional wiring is required.

Features

- A compact and discreet solution
- VAD approved to EN54-23 with two ranges, standard power and high power available
- High power option provides broader VAD coverage volume compared to standard
- Reflective Sound Monitoring (RSM)
- Reflective Light Monitoring (RLM)
- Self-test (**)
- Shorter light pulse for faster response
- Optimise the system design for the lowest power requirements and lowest cost installation
- Triple light source
- Independent addressable control of the sounder and beacon
- Built-in line isolator
- Select the tone, volume and flash rate using panel configuration software
- 15 selectable tones - users can select the tone with which they are most familiar.
- Realistic conventional bell tone
- Two selectable volumes
- Two selectable flash rates
- Different tones can be used for fire alarm and class change
- VADs and sounders are synchronized over the entire loop
- A locking pin supplied with the base which prevents the unauthorized removal of the detector
- Provides an EN54-23 approved upgrade path for legacy systems

Coverage volume code	
FC440AVB	C-3-8
FC441AVB	C-3-15
Devices per loop	
FC440AVB	Up to 86(*)
FC441AVB	Up to 54(*)
Flash rate	
FC440AVB	0.5 / 1Hz
FC441AVB	0.5 / 1Hz
Dimensions (ØxH) mm	
FC440AVB	135x45
FC441AVB	135x45

Sound output @ 1m	
FC440AVB	Up to 90dBA
FC441AVB	Up to 90dBA
Body colour	
FC440AVB	Clear
FC441AVB	Clear
Flash colour	
FC440AVB	White
FC441AVB	White
IP code	
FC440AVB	IP21C
FC441AVB	IP21C
Approvals	
FC440AVB	EN54-3, 23, 17
FC441AVB	EN54-3, 23, 17

Ordering information

Product Code	Description
576.440.006 (*)	FC440AVB Addressable Base Sounder VAD Standard Power
576.440.014 (*)	FC441AVB Addressable Base Sounder VAD High Power
557.080.001	B-CAP Blanking Cap For Sounder / VID / VAD Bases White
557.080.002	A-CON Conduit Adaptor For Sounder / VID / VAD Bases White

(*) Products not compatible with FC510/FC520 panels

(**) Self-test is available on the FC32/64/240 panels, and the 600 and 700 series of fire alarm panels.

(*) Full intensity VAD with sounder at high volume, 0.5 A loop.
Loop quantities are for guidance only and should be verified with the loop calculator.

FC440SB and FC440AIB Addressable Sounder Base and Addressable Sounder VID Base



The FC440SB is an addressable sounder base specifically for use with the FireClass addressable detectors. The base incorporates a fire alarm sounder that carries its own address so it can be monitored and controlled from the fire alarm control panel, which is independent of the detector fitted to the base. The two-wire digital loop provides both power and communications for the sounder and detector. This helps to reduce installation costs as no additional wiring is required. Additionally, the FC440AIB houses an addressable LED beacon to provide a visual indicator otherwise known as a VID.

Features

- A compact and discreet solution
- One point of installation for the detector sounder and visual indicator with no additional wiring
- Reflective Sound Monitoring (RSM)
- The control panel (P80AIB) electronically monitors LEDs
- Self-test (***)
- Independent addressable control of the sounder and beacon
- Built-in line isolator
- Select the tone, volume, and flash rate using panel configuration software indicator with no additional wiring
- 15 selectable tones. Allows users to select the tone with which they are most familiar
- Realistic conventional bell tone
- Four selectable volumes
- Two selectable flash rates
- Different tones can be used for fire alarm and class change
- VIDs and sounders are synchronized over the entire loop
- A locking pin supplied with the base which prevents the unauthorized removal of the detector
- Replace legacy LPSB3000 and LPAV3000

Devices per loop	
FC440SB	Up to 231(*)
FC440AIB	Up to 149(*)
Flash rate	
FC440SB	N/A
FC440AIB	0.5 / 1Hz
Dimensions (ØxH) mm	
FC440SB	114x45
FC440AIB	114x45
Sound output @ 1m	
FC440SB	Up to 90dBA
FC440AIB	Up to 90dBA

Body colour	
FC440SB	White
FC440AIB	Clear
Flash colour	
FC440SB	N/A
FC440AIB	Red
IP code	
FC440SB	IP21C
FC440AIB	IP21C
Approvals	
FC440SB	EN54-3, 17
FC440AIB	EN54-3, 17

Ordering information

Product Code	Description
576.440.002	FC440SB Addressable Base Sounder
576.440.010	FC440AIB Addressable Base Sounder VID
557.080.001	B-CAP Blanking Cap For Sounder / VID / VAD Bases White
557.080.002	A-CON Conduit Adaptor For Sounder / VID / VAD Bases White

(***) Self-test is available on the FC32/64/240 panels, and the 600 and 700 series of fire alarm panels.

(*) Sounder at high volume, 0.5 A loop.
 (***) Beacon at 0.5 Hz with sounder at high volume, 0.5 A loop.
 Loop quantities are for guidance only and should be verified with the loop calculator.

FC442AVB Addressable Open Class VAD Sounder Beacon



The FC442AVB is an addressable open class VAD sounder beacon specifically for use with the FireClass addressable detectors. The base incorporates a fire alarm sounder that carries its own address so it can be monitored and controlled from the fire alarm control panel, which is independent of the detector fitted to the base. The two-wire digital loop provides both power and communications for the sounder and detector. This helps to reduce installation costs as no additional wiring is required. Additionally, the FC442AVB houses a Visual Alarm Device, otherwise known as a VAD.

Features

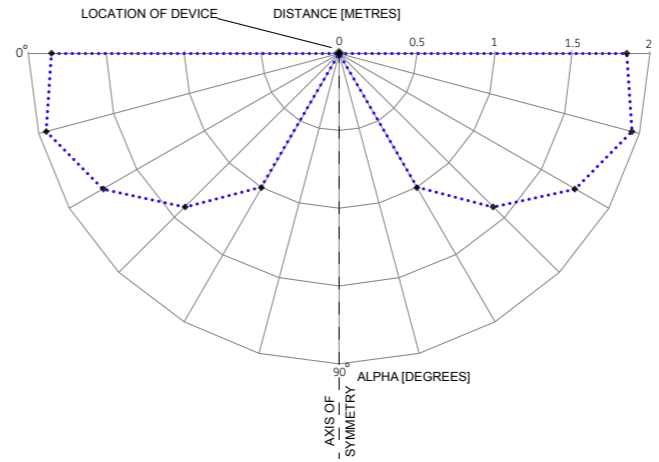
- A compact and discreet solution
- One point of installation for the detector sounder and visual alarm with no additional wiring
- Reflective Sound Monitoring (RSM)
- The control panel electronically monitors LEDs
- Automatic self-test
- Independent addressable control of the sounder and beacon
- Built-in line isolator
- Select the tone, volume, and flash rate using panel configuration software indicator with no additional wiring
- 15 selectable tones. Allows users to select the tone with which they are most familiar
- Realistic conventional bell tone
- Four selectable volumes
- Two selectable flash rates
- Different tones can be used for fire alarm and class change
- VADs and sounders are synchronized over the entire loop
- A locking pin supplied with the base which prevents the unauthorized removal of the detector
- Replaces legacy LPBS3000

Product	Specification
FC442AVB	Up to 149*
Flash rate	
FC442AVB	0,5/1Hz
Dimensions (ØxH) mm	
FC442AVB	114x45
Sound output @ 1m	
FC442AVB	Up to 90dBA

Body colour	
FC442AVB	Clear
Flash colour	
FC442AVB	White
IP code	
FC442AVB	IP21C
Approvals	
FC442AVB	EN54-3, 17, 23

Sounder at high volume, 1 A loop.
 (*) Beacon at 0.5 Hz with sounder at high volume, 1 A loop.
 Loop quantities are for guidance only and should be verified with the loop calculator.

Beacon sounder



Alpha (degrees)	Distance (metres)
90	0
75	0
60	1
45	1.4
30	1.75
15	1.95
0	1.85

Table 3: Beacon sounder - 0.4 lm/m² illumination distance

Ordering information

Product Code	Description
576.440.015	FC442AVB Addressable OC Base Sounder Beacon
557.080.001	B-CAP Blanking Cap For Sounder / VID / VAD Bases White
557.080.002	A-CON Conduit Adaptor For Sounder / VID / VAD Bases White

FC440DSB Detector Activated Sounder Base



The FC440DSB is a detector base specifically for use with the FireClass addressable detectors. The base incorporates a fire alarm sounder that is activated directly by the detector.

Features

- A compact and discreet solution
- One point of installation for the detector and sounder with no additional wiring
- Low power with up to 250 sounders on a single loop
- Provides uncompromised system design solutions
- Simple to select the tone and volume using switches
- No special training or tools needed.
- Nine selectable tones
- Four selectable volumes
- A locking pin supplied with the base which prevents the unauthorized removal of the detector
- Replaces legacy 802SB and it is compatible with 800 series detectors – can be used for service and repair or as part of a planned upgrade path

Devices per loop	
FC440DSB	Up to 250(*)
Dimensions (ØxH) mm	
FC440DSB	114x45
Sound output @ 1m	
FC440DSB	Up to 90dBA

Body colour	
FC440DSB	White
IP code	
FC440DSB	IP21C
Approvals	
FC440DSB	EN54-3

(*) Sounder at high volume, 0.5 A loop.
Loop quantities are for guidance only and should be verified with the loop calculator.

Ordering information

Product Code	Description
576.440.001	FC440DSB FireClass Detector Base Sounder
557.080.001	B-CAP Blanking Cap for Sounder / VID / VAD Bases White
557.080.002	A-CON Conduit Adaptor for Sounder / VID / VAD Bases White

FC445CAV and FC440CAVB Addressable wall sounder VAD and sounder VAD base



Those two models are equivalent respectively of FC445AVR and FC440AVB but they are compatible with FC510 and FC520 panels and should be used only with those panels. The panel display will show device type of the previous FC410LPBS and FC430LPBSB.

Features

- A compact and unobtrusive sounder solution
- Shorter Light Pulse for faster response
- FC445CAV is outdoor versions with a deep surface back box for use with suitable IP-rated glands and cabling
- Power and data from the loop. No additional wiring or power supplies required
- Built-in line isolator
- Sixteen selectable tones for FC445CAV
- Fifteen selectable tones for FC440AVB
- Realistic Conventional Bell Tone
- Two selectable volumes for FC445CAV
- Four selectable volumes for FC440CAVB
- Two selectable flash rates
- Select the tone volume and flash rate using panelconfiguration software

Coverage volume code	
FC445CAV	W-2.4-7.5
FC440AVB	C-3-8
Devices per loop	
FC445CAV	Up to 44 (*)
FC440AVB	Up to 67 (*)
Flash rate	
FC445CAV	0.5 / 1Hz
FC440AVB	0.5 / 1Hz
Dimensions (ØxH) mm	
FC445CAV	105x 153x 97 (with IP BackBox)
FC440AVB	135x45

Sound output @ 1m	
FC445CAV	Up to 100dBA
FC440AVB	Up to 90dBA
Body colour	
FC445CAV	Red
FC440AVB	Clear
Flash colour	
FC445CAV	White
FC440AVB	White
IP code	
FC445CAV	IP55
FC440AVB	IP21C
Approvals	
FC445CAV	EN54-3, 23, 17
FC440AVB	EN54-3, 23, 17

Ordering information

Product Code	Description
576.440.016	FC440CAVB FireClass Addressable Base Sounder Beacon VAD BC
576.440.017	FC445CAV FireClass Addressable Wall Sounder Beacon VAD BC

(*) Low Intensity VAD with sounder at high volume, 0.5A loop. Loop quantities are for guidance only and should be verified with loop the calculator.



About Johnson Controls

At Johnson Controls, we transform the environments where people live, work, learn and play. From optimizing building performance to improving safety and enhancing comfort, we drive the outcomes that matter most. We deliver our promise in industries such as healthcare, education, data centers, and manufacturing. With a global team of over 100,000 experts in more than 150 countries and over 130 years of innovation experience, we are the power behind our customers' mission. Our leading portfolio of building technology and solutions includes some of the most trusted names in the industry, such as Tyco®, YORK®, Metasys®, Ruskin®, Titus®, Frick®, PENN®, Sabroe®, Simplex® and Grinnell®.

For more information, visit www.johnsoncontrols.com or follow [@johnsoncontrols](https://twitter.com/johnsoncontrols) on Twitter.

The power behind **your mission**

