

## Elegant Wall IT Rack Cabinet

This is the product when you don't need a full size enclosure or you don't have the room for one rack, the Wall mount enclosure is quite enough for most distributing network applications but requires minimum install space.

Elegant Wall cabinets are designed to have a variety of mounting options for small network equipments for establishments such as hotels, malls, cinemas, gas stations, offices etc.

Commonly used network hardware can be easily placed in these cabinets. Each wall type cabinets have full-adjustable 19" mounting rails 2 ea left & right.

Our wall mount enclosures are compatible with all 19inch rack mount

equipments and has enough depth for network equipment and network cable bundles, size range is between 07U to 20U and the weight capacity up to 100kg

These rack ship fully assembled or flat pack with quick and easy assembly structure, this racks has removable side panels for easy access for equipment during installation and maintenance, and all models are equipped with locking doors to prevent unauthorized access, the modular structure also providing extremely space efficient, saving significant amounts of money for the customers by reducing shipping and storage costs, in addition to this features, rack doors can be ordered in our available, solid, perforated or glass versions.



## Elegant Wall IT Rack Cabinet

Cooling is an extremely important challenge in any networking situation

Elegant wall ventilation modules which can be detached by removing 4 pcs screws from the top in case of maintenance or replacement needs.

Protect your devices against overheating by choosing the right fan module.

We offer a wide product range of ventilation units with the different fan modules.

- On/Off switch Fan modules
- Analog & Digital Thermostat control unit Fan modules
- Rack mounting type 19inch Fan modules



## Elegant Wall IT Rack Cabinet

### Cable Entries

Bottom and top frame include sliding section and adjustable width for more cable entries into rack. These spaces are covered by rubber.

Rubber prevents dust entries in to rack and cables from sharp edges.



## Elegant Wall IT Rack Cabinet

### Front Doors of Elegant Wall Rack

Front doors are easily removable with spring hinged, single point locking mechanism, opening angle is 220°, opening direction is right from left. Also, its changeable opening directions with spring hinge. Front door are produced as decorative metal framed 4mm tempered glass.

For 450mm depth, there are only 1 pair forward backward movable and 3 times twisted, zinc plated and U marked 19" mounting rails. Second pair is an option and should ordered as extra. For 575mm depth, there are 2 pair 19" mounting rails.



Tempered Glass

Smoked Tempered Shatterproof Glass



## Elegant Wall IT Rack Cabinet

### Rear panel and side panels

Rear panel of the wall-mounting rack serves as a guide template to drilling the screws and very convenient in order to place the rack cabin in the desired location, the unique design provides 4 fixing point and M-joint type cable entry at the back side.

Removable side panels allow comfortable and easy access to the installed devices for maintenance from all sides of the cabinet.



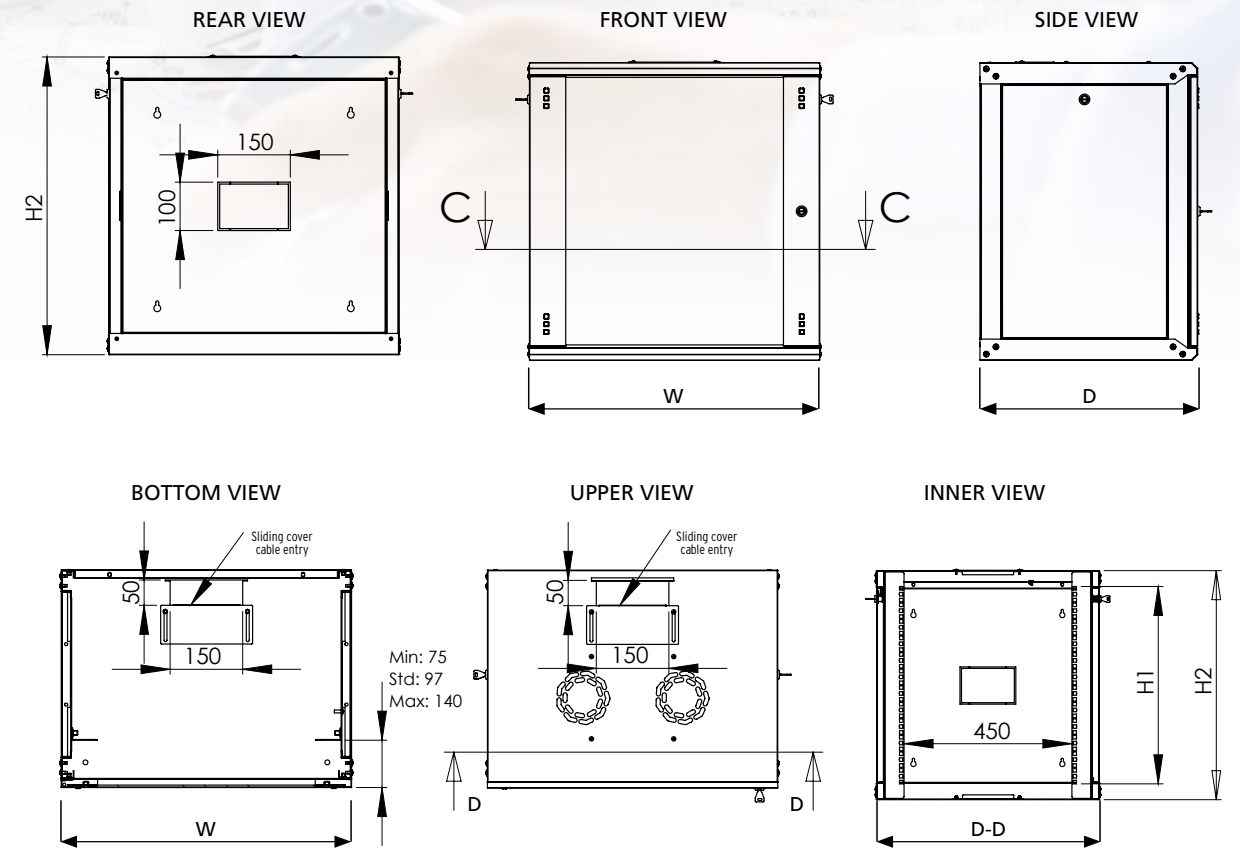
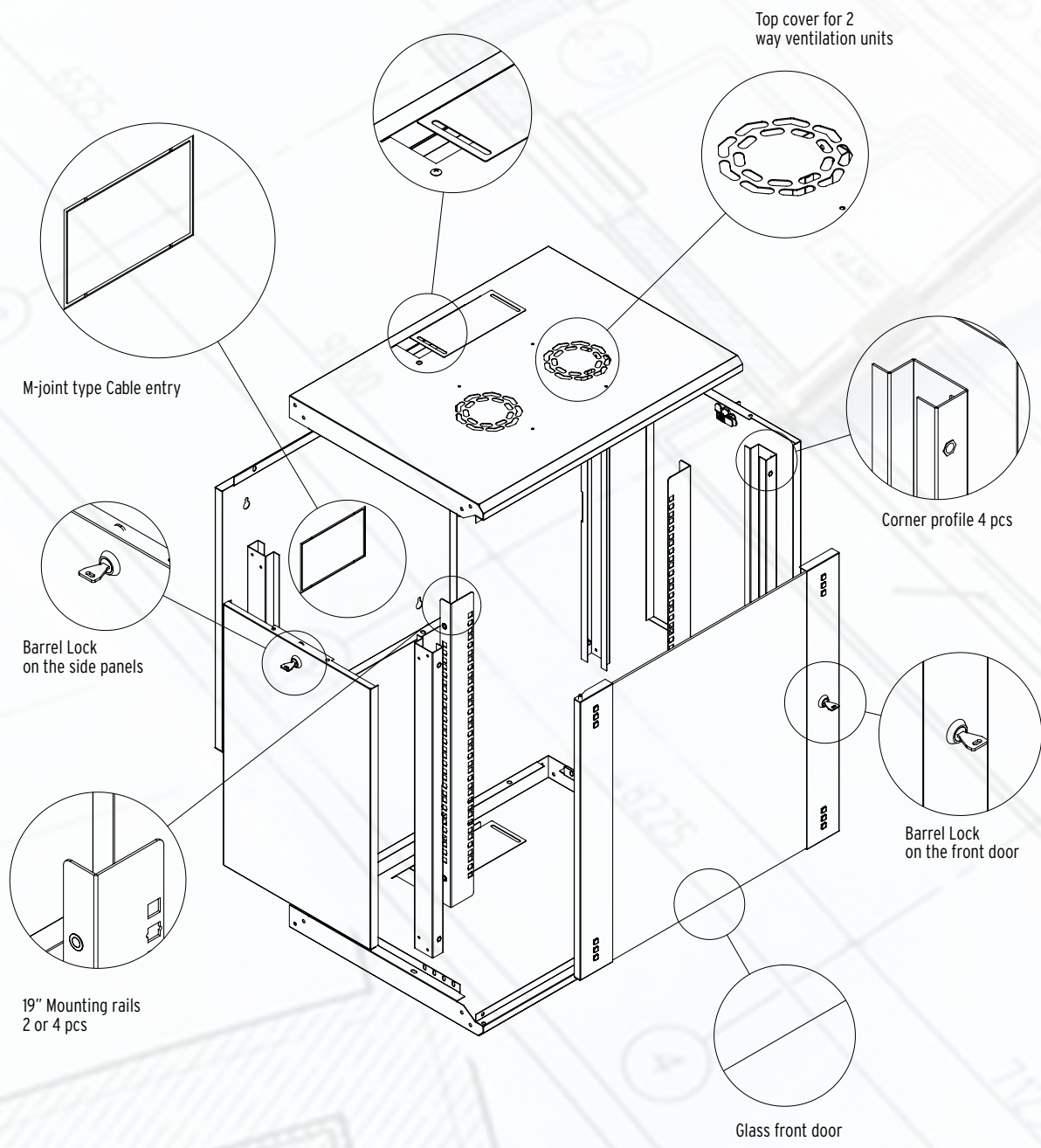
### Castors

All wall rack series cabinets has mounting holes for levelling feet or castors. Wall Racks are usable with levelling feet or castors as like a floor standing racks.





Technical Drawing  
 w: 600 mm d: 450 mm



600 x 450 mm ELEGANT WALL

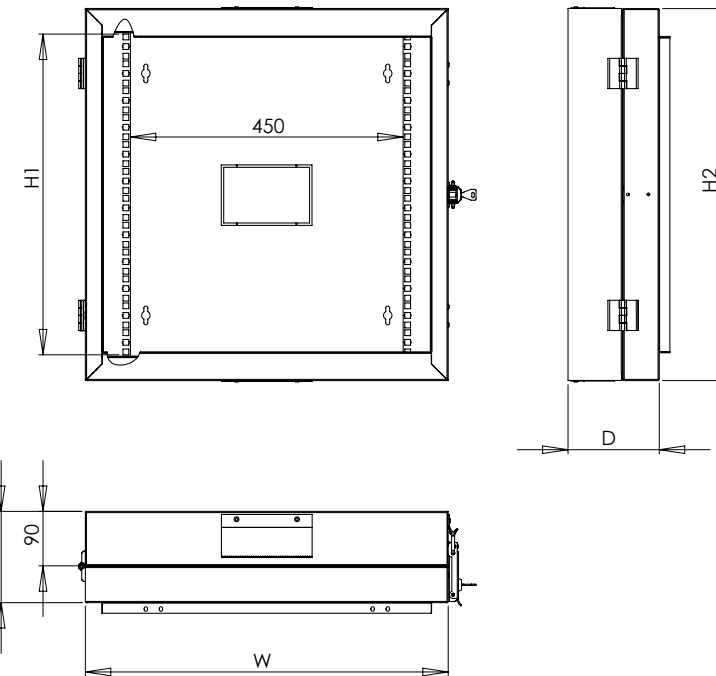
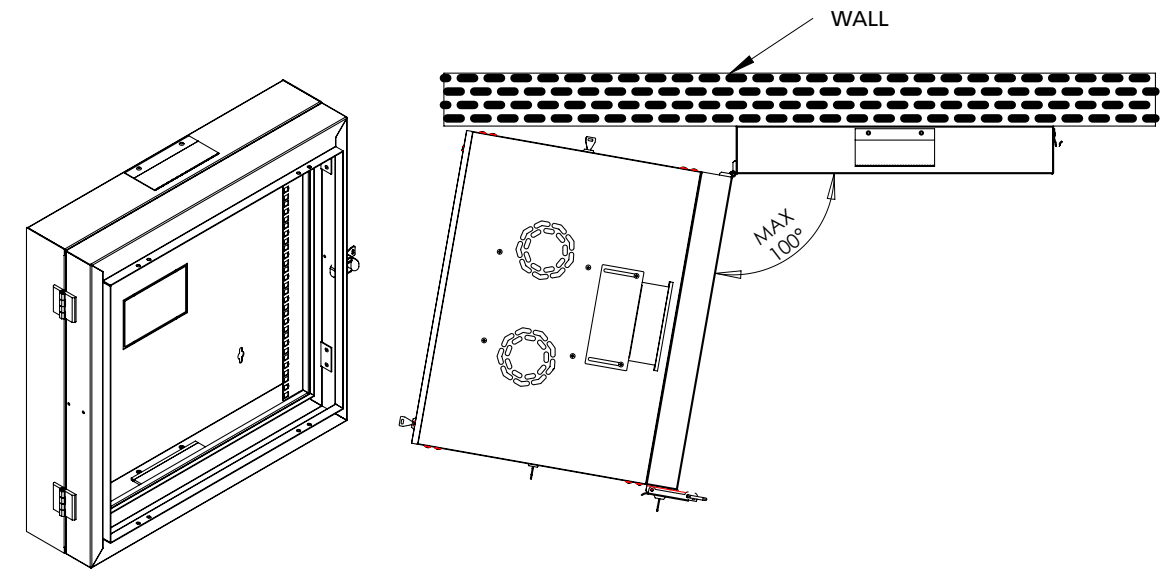
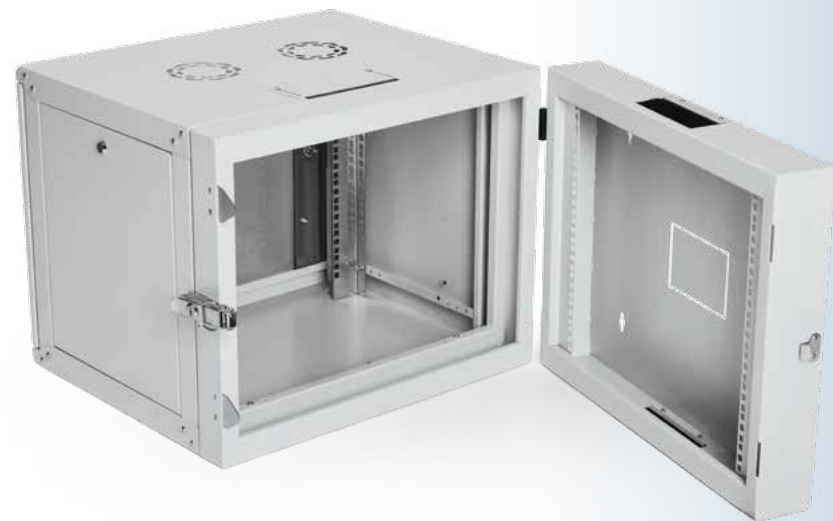
Product Code	Product Description	Out Width (W) (mm)	Out Depth (D) (mm)	Inner Height (H) (mm)	Out Height (H) (mm)
ELGW 04U 6045 CC 111	04U 19" 600x450mm Elegant Wall Mounting Rack Cabinet	600	450	177,8	259,75
ELGW 07U 6045 CC 111	07U 19" 600x450mm Elegant Wall Mounting Rack Cabinet	600	450	311,15	393,1
ELGW 09U 6045 CC 111	09U 19" 600x450mm Elegant Wall Mounting Rack Cabinet	600	450	400,05	482
ELGW 12U 6045 CC 111	12U 19" 600x450mm Elegant Wall Mounting Rack Cabinet	600	450	533,4	615,35
ELGW 16U 6045 CC 111	16U 19" 600x450mm Elegant Wall Mounting Rack Cabinet	600	450	711,2	793,15
ELGW 20U 6045 CC 111	20U 19" 600x450mm Elegant Wall Mounting Rack Cabinet	600	450	889	970,95

\*\*CC Means=Color Code, BL=Rail 9005 Black, LG=Rail 7035 Light Gray

# Elegant Wall Double Section

We developed wall mounting type Elegant enclosures in order to use for more than one purpose. Double section rack is able to swing out from the wall while still be hanging to the wall with extension rear body module.

You can easily fix the additional rear module by removing the template holder from on rack enclosure, it provides easy access to equipment with it is swing out structure and rear additional body is very convenient for cable management.



## 600 x 150 mm ELEGANT WALL DOUBLE SECTION

Product Code	Product Description	Out Width (W) (mm)	Out Depth (D) (mm)	Inner Height (H) (mm)	Out Height (H) (mm)
ELGW 04U 6015 CC	04U Extension Body For Elegant Wall Cabinets With Barrel Lock And Hinge	600	150	177.8	259.75
ELGW 07U 6015 CC	07U Extension Body For Elegant Wall Cabinets With Barrel Lock And Hinge	600	150	311.15	393.1
ELGW 09U 6015 CC	09U Extension Body For Elegant Wall Cabinets With Barrel Lock And Hinge	600	150	400.05	482
ELGW 12U 6015 CC	12U Extension Body For Elegant Wall Cabinets With Barrel Lock And Hinge	600	150	533.4	615.35
ELGW 16U 6015 CC	16U Extension Body For Elegant Wall Cabinets With Barrel Lock And Hinge	600	150	711.2	793.15
ELGW 20U 6015 CC	20U Extension Body For Elegant Wall Cabinets With Barrel Lock And Hinge	600	150	889	970.95

\*\*CC Means=Color Code, BL=Rail 9005 Black, LG=Rail 7035 Light Gray