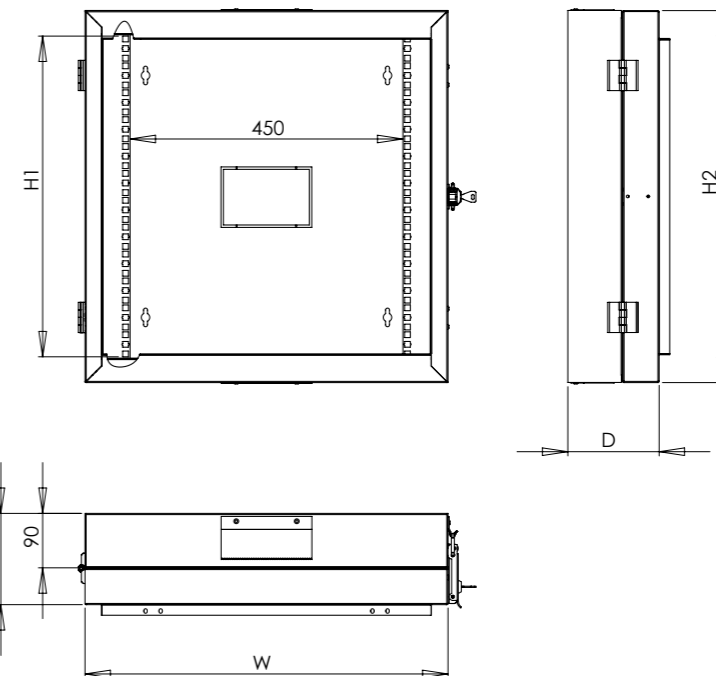
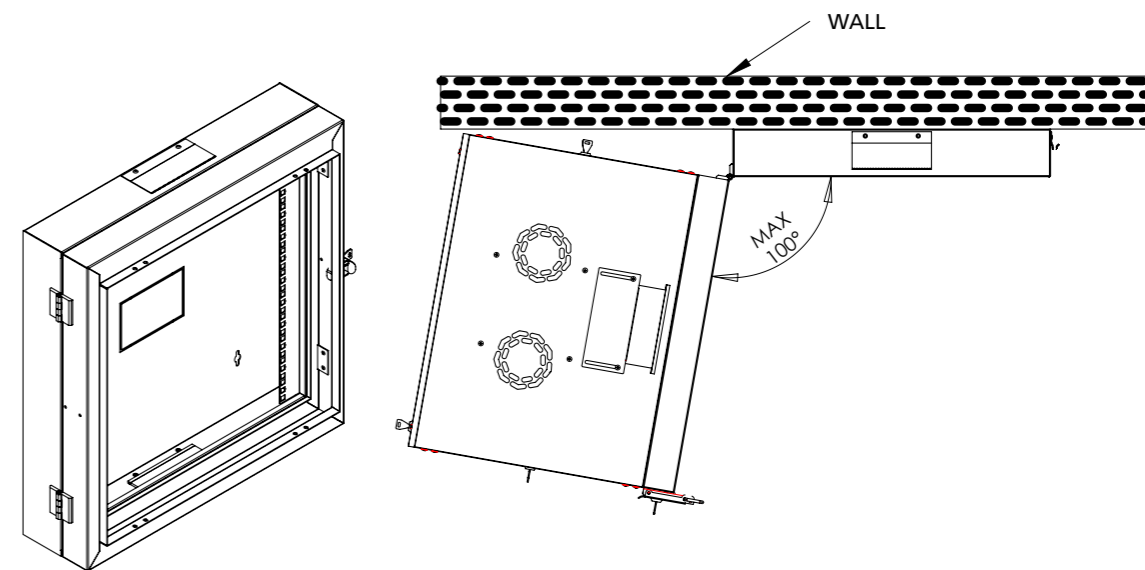
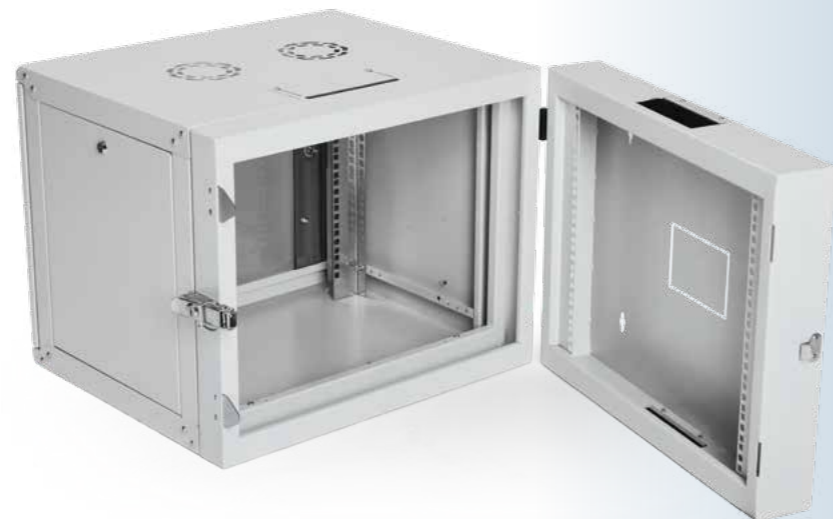


# Elegant Wall Double Section

We developed wall mounting type Elegant enclosures in order to use for more than one purpose. Double section rack is able to swing out from the wall while still be hanging to the wall with extension rear body module.

You can easily fix the additional rear module by removing the template holder from on rack enclosure, it provides easy access to equipment with it is swing out structure and rear additional body is very convenient for cable management.



## 600 x 150 mm ELEGANT WALL DOUBLE SECTION

Product Code	Product Description	Out Width (W) (mm)	Out Depth (D) (mm)	Inner Height (H) (mm)	Out Height (H) (mm)
ELGW 04U 6015 CC	04U Extension Body For Elegant Wall Cabinets With Barrel Lock And Hinge	600	150	177.8	259.75
ELGW 07U 6015 CC	07U Extension Body For Elegant Wall Cabinets With Barrel Lock And Hinge	600	150	311.15	393.1
ELGW 09U 6015 CC	09U Extension Body For Elegant Wall Cabinets With Barrel Lock And Hinge	600	150	400.05	482
ELGW 12U 6015 CC	12U Extension Body For Elegant Wall Cabinets With Barrel Lock And Hinge	600	150	533.4	615.35
ELGW 16U 6015 CC	16U Extension Body For Elegant Wall Cabinets With Barrel Lock And Hinge	600	150	711.2	793.15
ELGW 20U 6015 CC	20U Extension Body For Elegant Wall Cabinets With Barrel Lock And Hinge	600	150	889	970.95

\*\*CC Means=Color Code, BL=Rail 9005 Black, LG=Rail 7035 Light Gray